

# MAXTECH

UAD200x46-Ø20 HL58 red

EAN 4031582322804

Wheel centre made of Polyamide, Tread: Polyurethane, roller bearing, stainless



BETTER MOBILITY. BETTER LIFE.

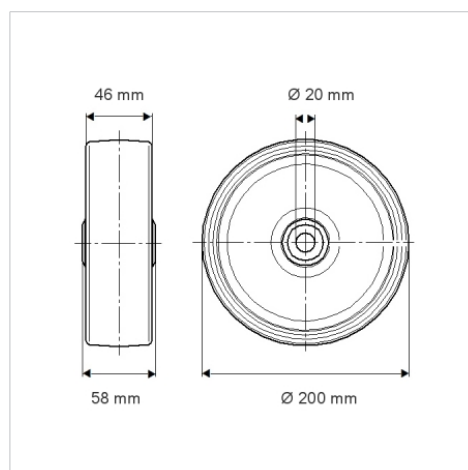


Picture may differ from original product

## Technical Data

Wheel diameter	200 mm
Wheel width	46 mm
Axle Hole-Ø	20 mm
Hub length	58 mm
Temperature	- 25 / + 80 °C
Standard	EN_12532
Weight	0.91 kg
Hardness of tread	Shore D 42
Load capacity	500 kg
Load capacity (static)	1000 kg

## Dimensions



## Advantages at a glance

Roll performance	● ● ● ○ ○
Movement noise	● ● ● ○ ○
Attrition	● ● ● ● ○
Corrosion resistance	● ● ● ○ ○