

OMIKRON TWIN

9950STP500P68

EAN 4031582316858

Swivel castor, housing and plate steel-welded, zinc plated, blue passivated, sealed swivel bearing with dual purpose bearing and tapered roller bearing, threaded king pin and locking nut secured, grease nipple, wheel axle with nut, plate fitting. Wheel centre made of pressed steel, lacquered, heavy duty, Tread: Polyurethane, casted, precision ball bearing



BETTER MOBILITY. BETTER LIFE.



Picture may differ from original product

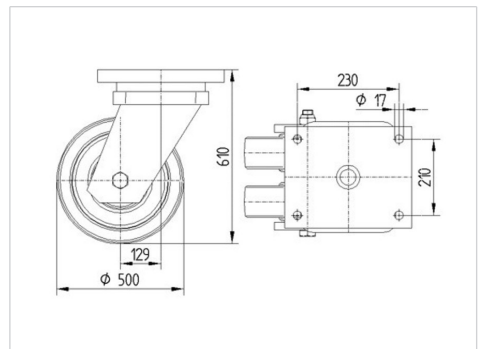
Technical Data

| | |
|------------------------|----------------|
| Wheel diameter | 500 mm |
| Wheel width | 80 mm |
| Castor width | 345 mm |
| Size of Plate | 270 x 250 mm |
| Plate hole centres | 230 x 210 mm |
| Plate hole | 17 mm |
| Dome-Ø | 316 mm |
| Offset | 130 mm |
| Swivel Interference | 790 mm |
| Overall height | 610 mm |
| Temperature | - 10 / + 60 °C |
| Standard | EN_12533 |
| Weight | 125.409 kg |
| Swivel Radius | 395 mm |
| Hardness of tread | Shore A 92 |
| Load capacity | 7200 kg |
| Load capacity (static) | 14400 kg |

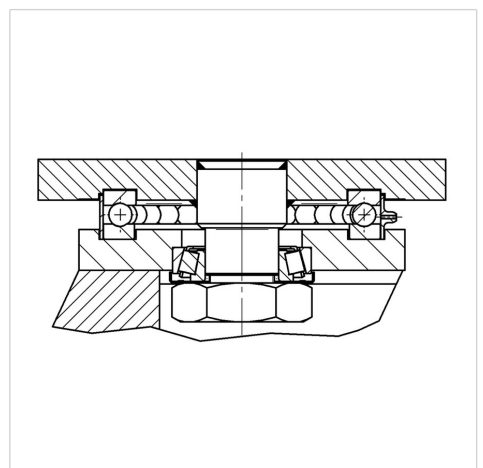
Advantages at a glance

| | |
|----------------------|-----------|
| Roll performance | ● ● ● ○ ○ |
| Movement noise | ● ● ● ○ ○ |
| Attrition | ● ● ● ● ○ |
| Corrosion resistance | ● ● ● ○ ○ |

Dimensions



Structure & Mounting



OMIKRON TWIN

9950STP500P68

EAN 4031582316858



BETTER MOBILITY. BETTER LIFE.

Structure & Mounting

