

# PURETECH

PIR125x37-Ø12 HL48

EAN 4031582320350

Wheel centre made of Polypropylene, Tread: solid rubber, grey non-marking, roller bearing



BETTER MOBILITY. BETTER LIFE.

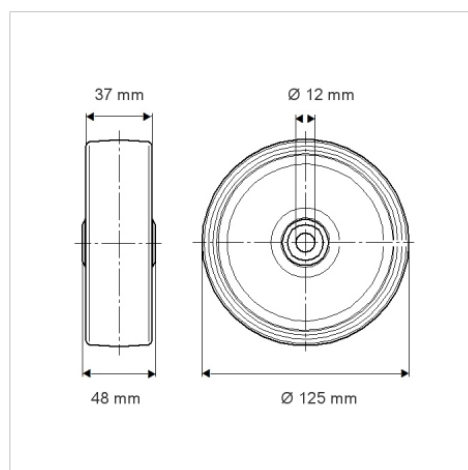


Picture may differ from original product

## Technical Data

Wheel diameter	125 mm
Wheel width	37 mm
Axle Hole-Ø	12 mm
Hub length	48 mm
Temperature	- 20 / + 60 °C
Standard	EN_12532
Weight	0.473 kg
Hardness of tread	Shore A 80
Load capacity	100 kg
Load capacity (static)	200 kg

## Dimensions



## Advantages at a glance

Roll performance	● ● ● ○ ○
Movement noise	● ● ● ○ ○
Attrition	● ● ● ○ ○
Corrosion resistance	● ● ● ○ ○