

LEVINA LIGHT

5220PJP075B10-11x20

EAN 4031582492385

Swivel castor, Housing made of glass-filled Polyamide, stem with circlip.
Wheel centre made of Polypropylene, Tread: TENTEprene (thermoplastic rubber), grey non-marking, precision ball bearing



BETTER MOBILITY. BETTER LIFE.

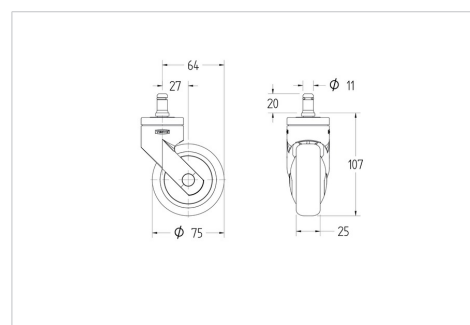


Picture may differ from original product

Technical Data

Wheel diameter	75 mm
Wheel width	25 mm
Metal stem with circlip	11x20 mm
Offset	27 mm
Swivel Interference	129 mm
Overall height	108 mm
Temperature	- 10 / + 40 °C
Standard	EN_12530
Weight	0.2 kg
Swivel Radius	64.5 mm
Hardness of tread	Shore A 87
Load capacity	75 kg

Dimensions



Advantages at a glance

Roll performance	● ● ● ○ ○
Movement noise	● ● ● ● ○
Attrition	● ● ● ○ ○
Corrosion resistance	● ● ● ● ○