

# SMILES

5520PJI050L51-10 CAT, Yellow

EAN 4031582335606

Swivel castor, housing made of Polyamide, with blind hole fitting. Wheel centre made of Polypropylene, Tread: TENTEprene (thermoplastic rubber), grey non-marking, plain bearing



BETTER MOBILITY. BETTER LIFE.



Picture may differ from original product

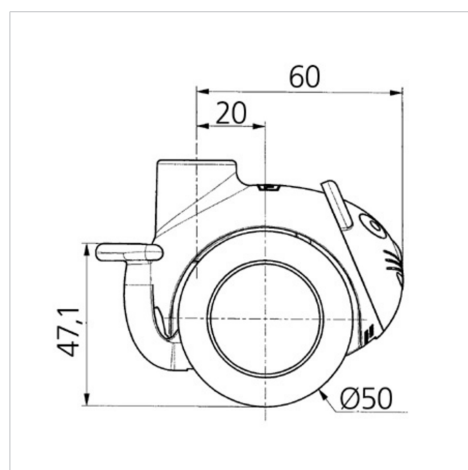
## Technical Data

Wheel diameter	50 mm
Wheel width	8,5 mm
Castor width	54.3 mm
Centre hole	10 mm
Dome-Ø	23 mm
Offset	20 mm
Swivel Interference	120 mm
Overall height	71.5 mm
Temperature	- 10 / + 40 °C
Standard	EN_12528
Weight	0.101 kg
Swivel Radius	60 mm
Hardness of tread	Shore A 87
Load capacity	40 kg
Load capacity (static)	80 kg

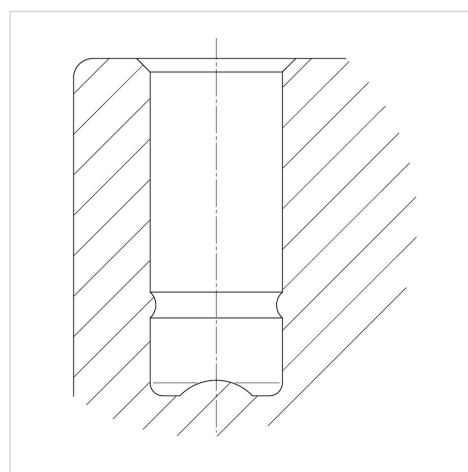
## Advantages at a glance

Roll performance	● ● ● ○ ○
Movement noise	● ● ● ○ ○
Attrition	● ● ● ○ ○
Corrosion resistance	● ● ● ● ○

## Dimensions



## Structure & Mounting



# SMILES

5520PJI050L51-10 CAT, Yellow

EAN 4031582335606



BETTER MOBILITY. BETTER LIFE.

## Structure & Mounting

---



reddot design award  
winner