

LINEA

5947UAP100P30-11 RAL9002

EAN 4031582368673

Swivel castor with total lock, tail end of castor, housing made of Polyamide, precision ball bearing in swivel head, bolt hole. Wheel centre made of Polyamide, Tread: Polyurethane, precision ball bearing



BETTER MOBILITY. BETTER LIFE.

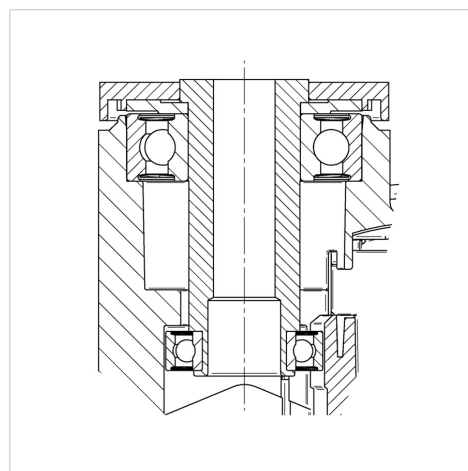


Picture may differ from original product

Technical Data

Wheel diameter	100 mm
Wheel width	20 mm
Castor width	82 mm
Centre hole	11 mm
Dome-Ø	52 mm
Offset	32 mm
Swivel Interference	216 mm
Overall height	118 mm
Temperature	- 10 / + 40 °C
Standard	EN_12530
Weight	0.706 kg
Swivel Radius	108 mm
Hardness of tread	Shore A 92
Load capacity	120 kg
Load capacity (static)	240 kg

Structure & Mounting



Advantages at a glance

Roll performance	● ● ● ● ●
Movement noise	● ● ● ○ ○
Attrition	● ● ● ● ○
Corrosion resistance	● ● ● ● ○