



BETTER MOBILITY. BETTER LIFE.

5446PJP100R26-28S45 4xM8

EAN 4031582336733

Swivel castor with central total lock, housing made of Polyamide, precision ball bearing in swivel head, with integrated threadguards, wheel axle with nut, stem with cam hole for profile bars. Wheel centre made of Polypropylene, Tread: TENTEprene (thermoplastic rubber), grey non-marking, precision ball bearing

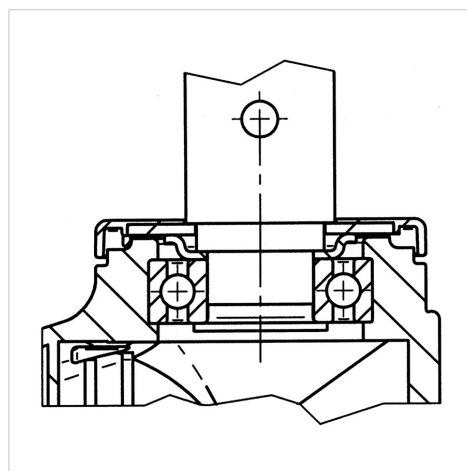


Picture may differ from original product

Technical Data

Wheel diameter	100 mm
Wheel width	32 mm
Bolt-Ø	28 mm
Bolt length	96 mm
Offset	38 mm
Swivel Interference	176 mm
Overall height	139 mm
Temperature	- 10 / + 40 °C
Standard	EN_12530
Weight	0.687 kg
Swivel Radius	88 mm
Hardness of tread	Shore A 87
Load capacity	100 kg
Load capacity (static)	200 kg

Structure & Mounting



Advantages at a glance

Roll performance	● ● ● ○ ○
Movement noise	● ● ● ○ ○
Attrition	● ● ● ○ ○
Corrosion resistance	● ● ● ● ○

5446PJP100R26-28S45 4xM8

EAN 4031582336733



BETTER MOBILITY. BETTER LIFE.

Structure & Mounting

