



BETTER MOBILITY. BETTER LIFE.

5444PJP125R36-32S30 4xM6

EAN 4031582336788

Swivel castor with central, total lock and central directional lock, housing made of Polyamide, precision ball bearing in swivel head, with integrated threadguards, wheel axle with nut, stem with cam hole for profile bars, short version. Wheel centre made of Polypropylene, Tread: TENTEprene (thermoplastic rubber), grey non-marking, precision ball bearing

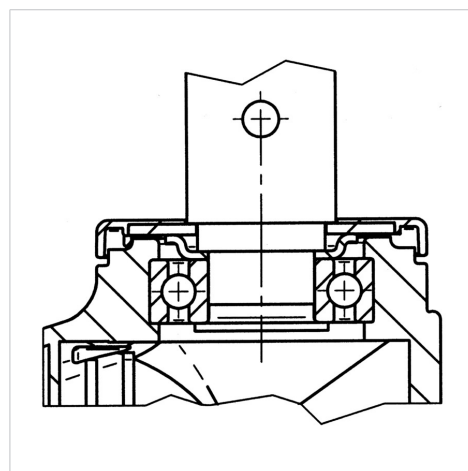


Picture may differ from original product

Technical Data

Wheel diameter	125 mm
Wheel width	32 mm
Bolt-Ø	32 mm
Bolt length	50 mm
Offset	41 mm
Swivel Interference	207 mm
Overall height	164 mm
Temperature	- 10 / + 40 °C
Standard	EN_12530
Weight	0.802 kg
Swivel Radius	103.5 mm
Hardness of tread	Shore A 87
Load capacity	100 kg
Load capacity (static)	200 kg

Structure & Mounting



Advantages at a glance

Roll performance	● ● ● ○ ○
Movement noise	● ● ● ○ ○
Attrition	● ● ● ○ ○
Corrosion resistance	● ● ● ● ○

5444PJP125R36-32S30 4xM6

EAN 4031582336788



BETTER MOBILITY. BETTER LIFE.

Structure & Mounting

