

# LINEA

5925XOI065L51-11 DOM23x43,6

EAN 4031582344233

Swivel castor with wheel brake, housing made of Polyamide, with blind hole fitting. Wheel centre made of Polyamide, plain bearing, electric conductive



BETTER MOBILITY. BETTER LIFE.

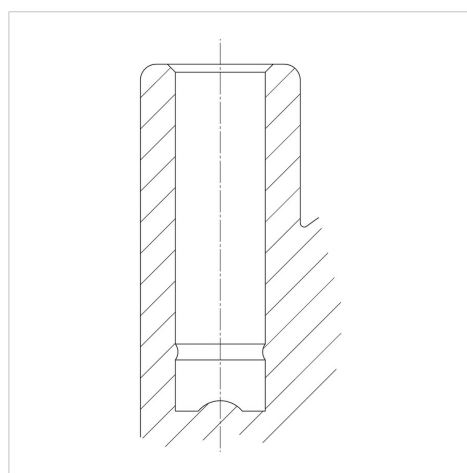


Picture may differ from original product

## Technical Data

Wheel diameter	65 mm
Wheel width	7 mm
Castor width	46 mm
Centre hole	11 mm
Dome-Ø	23 mm
Swivel Interference	154 mm
Overall height	91.5 mm
Temperature	- 10 / + 40 °C
Standard	EN_12528
Swivel Radius	77 mm
Load capacity	50 kg
Load capacity (static)	100 kg

## Structure & Mounting



## Advantages at a glance

Roll performance	● ● ● ○ ○
Movement noise	● ● ● ○ ○
Attrition	● ● ● ● ●
Corrosion resistance	● ● ● ● ○