

RADIATA

994TETP080P64

EAN 4031582423471

, housing made of heavy pressed steel, bright zinc plated, blue passivated, precision ball bearing swivel head, sealed, wheel axle with nut, plate fitting. Wheel centre made of steel, Tread: Polyurethane, casted, precision ball bearing.



BETTER MOBILITY. BETTER LIFE.

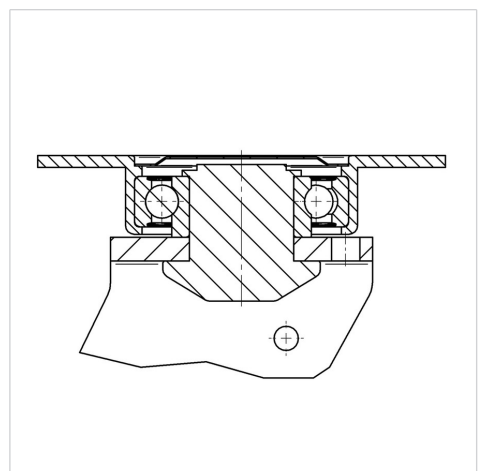


Picture may differ from original product

Technical Data

Wheel diameter	80 mm
Wheel width	40 mm
Size of Plate	175 x 140 mm
Plate hole centres	140 x 105 mm
Plate hole	15 mm
Swivel Interference	400 mm
Overall height	166 mm
Temperature	- 20 / + 60 °C
Weight	24.063 kg
Hardness of tread	Shore A 92
Load capacity	1500 kg

Structure & Mounting



Advantages at a glance

Roll performance	● ● ● ● ●
Movement noise	● ● ● ○ ○
Attrition	● ● ● ● ○
Corrosion resistance	● ● ● ○ ○

RADIATA

994TETP080P64

EAN 4031582423471



BETTER MOBILITY. BETTER LIFE.

Structure & Mounting

