

# MONO

5025PJH100L51-10 RAL9006

EAN 4031582308464

Swivel castor with wheel brake, housing made of Polyamide, with blind hole fitting. Wheel centre made of Polypropylene, Tread: TENTEprene (thermoplastic rubber), grey non-marking, with threadguards, plain bearing



BETTER MOBILITY. BETTER LIFE.

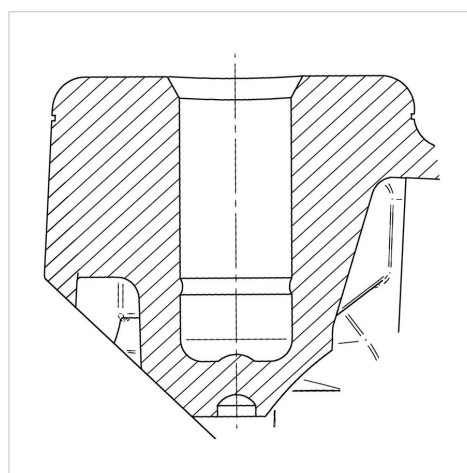


Picture may differ from original product

## Technical Data

Wheel diameter	100 mm
Wheel width	24 mm
Centre hole	10 mm
Offset	40 mm
Swivel Interference	214 mm
Overall height	120 mm
Temperature	- 10 / + 40 °C
Standard	EN_12528
Weight	0.21 kg
Hardness of tread	Shore A 87
Load capacity	70 kg
Load capacity (static)	140 kg

## Structure & Mounting



## Advantages at a glance

Roll performance	● ● ● ○ ○
Movement noise	● ● ● ○ ○
Attrition	● ● ● ○ ○
Corrosion resistance	● ● ● ● ○