

ALPHA

3470UVH080P62

EAN 4031582304725

Swivel castor, housing made of pressed steel, bright zinc plated, blue passivated, double ball bearing swivel head, wheel axle with nut, dustguard, plate fitting. Wheel centre made of Polyamide, Tread: solid rubber, black, plain bearing, with threadguards,



BETTER MOBILITY. BETTER LIFE.



Picture may differ from original product

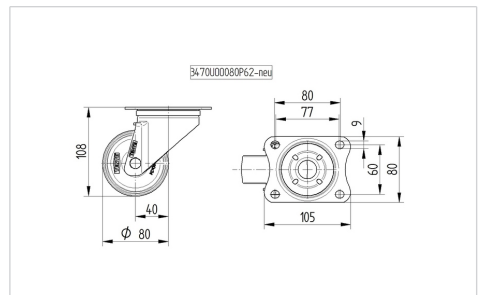
Technical Data

Wheel diameter	80 mm
Wheel width	35 mm
Castor width	75 mm
Size of Plate	105 x 80 mm
Plate hole centres	80/77 x 60 mm
Plate hole	9 mm
Dome-Ø	75 mm
Offset	40 mm
Swivel Interference	160 mm
Overall height	108 mm
Temperature	- 20 / + 80 °C
Standard	EN_12532
Weight	0.724 kg
Swivel Radius	80 mm
Hardness of tread	Shore D 39
Load capacity	100 kg
Load capacity (static)	200 kg

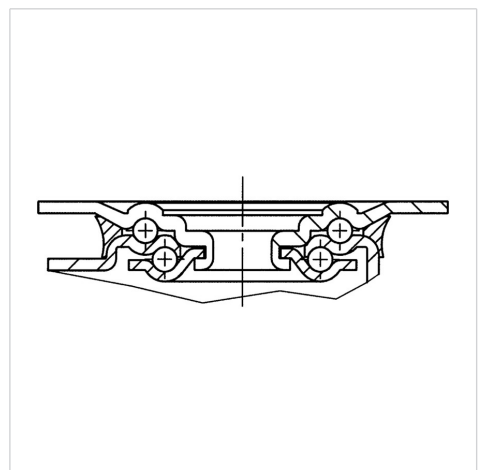
Advantages at a glance

Roll performance	● ● ● ○ ○
Movement noise	● ● ● ○ ○
Attrition	● ● ○ ○ ○
Corrosion resistance	● ● ● ○ ○

Dimensions



Structure & Mounting



ALPHA

3470UVH080P62

EAN 4031582304725



BETTER MOBILITY. BETTER LIFE.

Structure & Mounting

