

# OMIKRON

9258FTP300P65

EAN 4031582314083

Fixed castor, Fork and plate steel welded, zinc plated, blue passivated, wheel axle with nut, plate fitting.

Wheel centre made of cast iron, Tread: Polyurethane, casted, precision ball bearing



BETTER MOBILITY. BETTER LIFE.

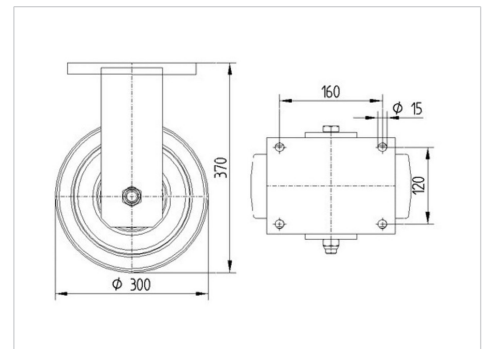


Picture may differ from original product

## Technical Data

Wheel diameter	300 mm
Wheel width	100 mm
Size of Plate	200 x 160 mm
Plate hole centres	160 x 120 mm
Plate hole	15 mm
Overall height	370 mm
Temperature	- 20 / + 60 °C
Standard	EN_12533
Weight	30.091 kg
Hardness of tread	Shore A 92
Load capacity	2600 kg
Load capacity (static)	5200 kg

## Dimensions



## Advantages at a glance

Roll performance	● ● ● ● ○
Movement noise	● ● ● ○ ○
Attrition	● ● ● ● ○
Corrosion resistance	● ● ● ○ ○

# OMIKRON

9258FTP300P65

EAN 4031582314083



BETTER MOBILITY. BETTER LIFE.

## Structure & Mounting

