

# ANIKA

5925UAI055L51-10

EAN 4031582406405

Swivel castor with wheel brake, housing made of Polyamide, with blind hole fitting. Wheel centre made of Polyamide, Tread: Polyurethane, plain bearing



BETTER MOBILITY. BETTER LIFE.



Picture may differ from original product

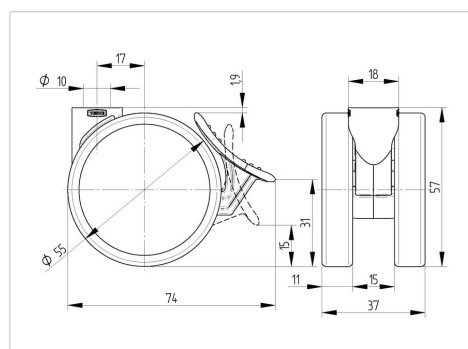
## Technical Data

Wheel diameter	55 mm
Wheel width	11 mm
Castor width	37 mm
Centre hole	10 mm
Dome-Ø	18 mm
Swivel Interference	128 mm
Overall height	57 mm
Temperature	- 10 / + 40 °C
Standard	EN_12528
Weight	0.65 kg
Swivel Radius	64 mm
Hardness of tread	Shore A 92
Load capacity	40 kg
Load capacity (static)	80 kg

## Advantages at a glance

Roll performance	● ● ● ○ ○
Movement noise	● ● ● ○ ○
Attrition	● ● ● ○ ○
Corrosion resistance	● ● ● ● ○

## Dimensions



## Structure & Mounting

