

STORA

2875ZIP125P30-13 LEFT

EAN 4031582302479

Walkway Castor with automatic side brake for moving walkways, flanged wheel with one ball race, left and right hand design, housing made of pressed steel, bright zinc plated, blue passivated, double ball bearing swivel head, wheel axle with nut, Wheel centre: plastic, Tread: rubber, with threadguards, precision ball bearing.

Designed for the following palletsize: track width: approx: 2,75 mm, groove width: approx. 5,7 mm, groove depth: > 10 mm.

Hint:

Load capacity 100 kg per castor on level and securely attached floors, 40 kg per castor on walkways. Use on uneven floors, outdoors (ground beams, gaps, joints, manhole covers, etc.) can affect the life expectancy of castors. Load capacity 80 kg per castor on level and securely attached floors, 40 kg per castor on walkways. Please note that according to EN1929 only castors with a minimum wheel diameter of 120 mm can be used on walkways.



BETTER MOBILITY. BETTER LIFE.



Picture may differ from original product

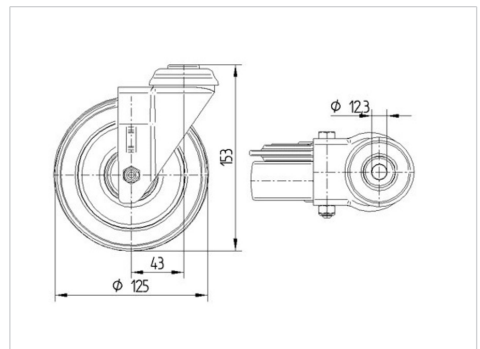
Technical Data

Wheel diameter	125 mm
Wheel width	32 mm
Castor width	70 mm
Centre hole	13 mm
Dome-Ø	65 mm
Offset	40 mm
Swivel Interference	205 mm
Overall height	153 mm
Temperature	- 20 / + 60 °C
Standard	EN_12530
Weight	0.893 kg
Swivel Radius	102.5 mm
Hardness of tread	Shore A 80
Load capacity	100 kg
Load capacity (static)	200 kg

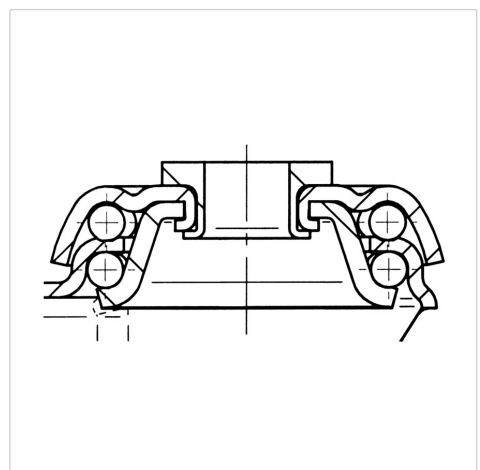
Advantages at a glance

Roll performance	● ● ● ○ ○
Movement noise	● ● ● ○ ○
Attrition	● ● ● ○ ○
Corrosion resistance	● ● ● ○ ○

Dimensions



Structure & Mounting



STORA

2875ZIP125P30-13 LEFT

EAN 4031582302479



BETTER MOBILITY. BETTER LIFE.

Structure & Mounting

