

# LINEA

5925UAI050L51-10

EAN 4031582437621

Swivel castor with wheel brake, housing made of Polyamide, with blind hole fitting. Wheel centre made of Polyamide, Tread: Polyurethane, plain bearing



BETTER MOBILITY. BETTER LIFE.



Picture may differ from original product

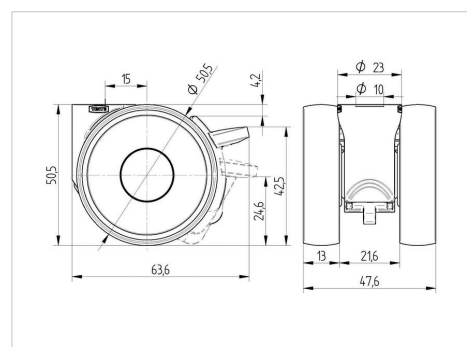
## Technical Data

Wheel diameter	50 mm
Wheel width	13 mm
Castor width	47.6 mm
Centre hole	10 mm
Dome-Ø	23 mm
Offset	15 mm
Swivel Interference	104 mm
Overall height	50.5 mm
Temperature	-10/+40 °C
Standard	EN_12528
Weight	0.073 kg
Swivel Radius	52 mm
Hardness of tread	Shore 92ShA
Load capacity	50 kg
Load capacity (static)	100 kg

## Advantages at a glance

Roll performance	● ● ● ○ ○
Movement noise	● ● ● ○ ○
Attrition	● ● ● ○ ○
Corrosion resistance	● ● ● ○ ○

## Dimensions



## Structure & Mounting

