

ALPHA

8470UAD160P63 RAL5017 Blå

EAN 4031582469448

Swivel castor, Housing made of Stainless Steel, double ball bearing swivel head, wheel axle with nut, plate fitting. Wheel centre made of Polyamide, Tread: Polyurethane, roller bearing, stainless



BETTER MOBILITY. BETTER LIFE.



Picture may differ from original product

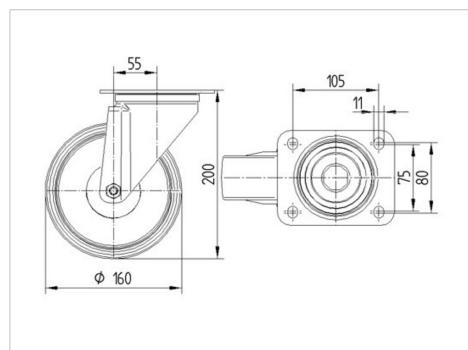
Technical Data

Wheel diameter	160 mm
Wheel width	40 mm
Size of Plate	137 x 105 mm
Plate hole centres	105 x 80/75 mm
Plate hole	11 mm
Offset	55 mm
Swivel Interference	270 mm
Overall height	200 mm
Temperature	- 40 / + 80 °C
Standard	EN_12532
Weight	1.987 kg
Swivel Radius	135 mm
Hardness of tread	Shore D 60
Load capacity	350 kg
Load capacity (static)	700 kg

Advantages at a glance

Roll performance	● ● ● ○ ○
Movement noise	● ● ● ○ ○
Attrition	● ● ● ● ○
Corrosion resistance	● ● ● ● ●

Dimensions



Structure & Mounting



ALPHA

8470UAD160P63 RAL5017 Blå

EAN 4031582469448



BETTER MOBILITY. BETTER LIFE.

Structure & Mounting

