

FORMA

6945UFP150B33-18,7 grey

EAN 4031582476521

Swivel castor with wheel brake, housing made of alu die-casting, powder coated, plug-in fitting. Wheel centre made of Polyamide, Tread: elastic-tyre, non-marking, precision ball bearing



BETTER MOBILITY. BETTER LIFE.

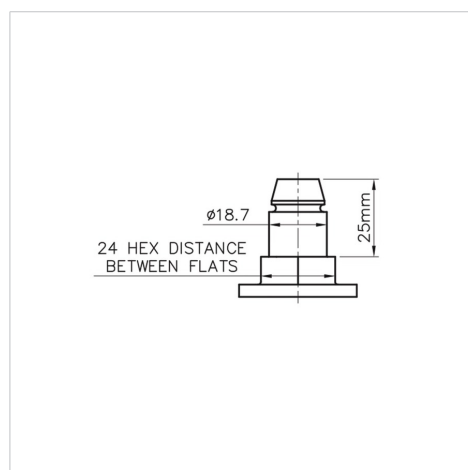


Picture may differ from original product

Technical Data

Wheel diameter	150 mm
Wheel width	18 mm
Bolt-Ø	19 mm
Bolt length	25 mm
Offset	57 mm
Overall height	164 mm
Temperature	- 18 / + 120 °C
Swivel Radius	137 mm
Hardness of tread	Shore 60 A
Load capacity	135 kg

Structure & Mounting



Advantages at a glance

Roll performance	● ● ● ● ○
Movement noise	● ● ● ● ○
Attrition	● ● ● ● ○
Corrosion resistance	● ● ● ○ ○