

# LEVINA LIGHT

5220PJP075B10-11x20

EAN 4031582492385

Swivel castor, Housing made of glass-filled Polyamide, stem with circlip.  
Wheel centre made of Polypropylene, Tread: TENTEprene (thermoplastic rubber), grey non-marking, precision ball bearing



BETTER MOBILITY. BETTER LIFE.

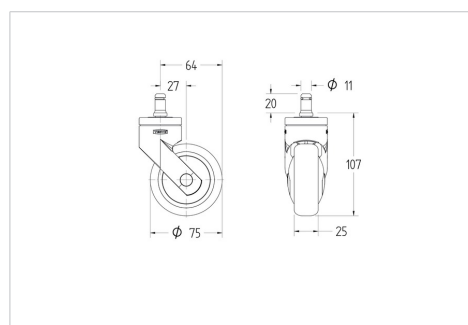


Picture may differ from original product

## Technical Data

Wheel diameter	75 mm
Wheel width	25 mm
Metal stem with circlip	11x20 mm
Offset	27 mm
Swivel Interference	129 mm
Overall height	108 mm
Temperature	- 10 / + 40 °C
Standard	EN_12530
Weight	0.2 kg
Swivel Radius	64.5 mm
Hardness of tread	Shore A 87
Load capacity	75 kg

## Dimensions



## Advantages at a glance

Roll performance	● ● ● ○ ○
Movement noise	● ● ● ● ○
Attrition	● ● ● ○ ○
Corrosion resistance	● ● ● ● ○