

LEVINA LIGHT

5220PJP075P52

EAN 4031582492538

Swivel castor, Housing made of glass-filled Polyamide, plate fitting. Wheel centre made of Polypropylene, Tread: TENTEprene (thermoplastic rubber), grey non-marking, precision ball bearing



BETTER MOBILITY. BETTER LIFE.

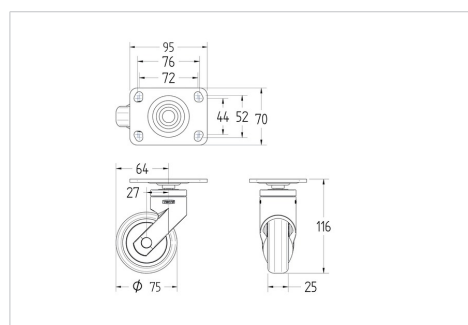


Picture may differ from original product

Technical Data

Wheel diameter	75 mm
Wheel width	25 mm
Size of Plate	95x70 mm
Plate hole centres	52/44.5x76/72 mm
Plate hole	11 mm
Offset	27 mm
Swivel Interference	129 mm
Overall height	116 mm
Temperature	- 10 / + 40 °C
Standard	EN_12530
Weight	0.384 kg
Swivel Radius	64.5 mm
Hardness of tread	Shore A 87
Load capacity	75 kg

Dimensions



Advantages at a glance

Roll performance	● ● ● ○ ○
Movement noise	● ● ● ● ○
Attrition	● ● ● ○ ○
Corrosion resistance	● ● ● ● ○