

LEVINA LIGHT

5220PJP100P52

EAN 4031582492774

Swivel castor, Housing made of glass-filled Polyamide, plate fitting. Wheel centre made of Polypropylene, Tread: TENTEprene (thermoplastic rubber), grey non-marking, precision ball bearing



BETTER MOBILITY. BETTER LIFE.

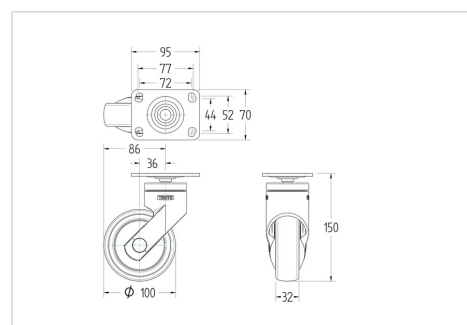


Picture may differ from original product

Technical Data

Wheel diameter	100 mm
Wheel width	32 mm
Size of Plate	95x70 mm
Plate hole centres	52/44,45x76/72 mm
Plate hole	11 mm
Offset	36 mm
Swivel Interference	172 mm
Overall height	150 mm
Temperature	- 10 / + 40 °C
Standard	EN_12530
Weight	0.566 kg
Swivel Radius	86 mm
Hardness of tread	Shore A 87
Load capacity	82 kg
Suitable wheel sizes	100 mm

Dimensions



Advantages at a glance

Roll performance	● ● ● ○ ○
Movement noise	● ● ● ● ○
Attrition	● ● ● ○ ○
Corrosion resistance	● ● ● ● ○

LEVINA LIGHT

5220PJP100P52

EAN 4031582492774



BETTER MOBILITY. BETTER LIFE.

Structure & Mounting

