

# LEVINA LIGHT

5220PJP125B10-11x31

EAN 4031582493009

Swivel castor, Housing made of glass-filled Polyamide, stem with circlip.  
Wheel centre made of Polypropylene, Tread: TENTEprene (thermoplastic rubber), grey non-marking, precision ball bearing



BETTER MOBILITY. BETTER LIFE.

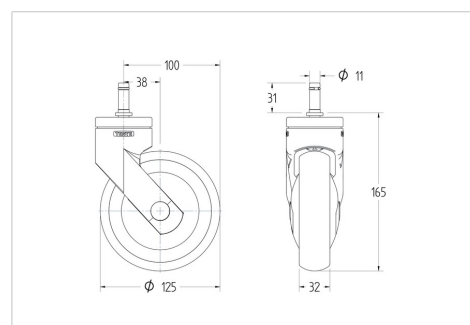


Picture may differ from original product

## Technical Data

Wheel diameter	125 mm
Wheel width	32 mm
Metal stem with circlip	11x31 mm
Offset	38 mm
Swivel Interference	201 mm
Overall height	165 mm
Temperature	- 10 / + 40 °C
Standard	EN_12530
Weight	0.484 kg
Swivel Radius	100.5 mm
Hardness of tread	Shore A 87
Load capacity	82 kg

## Dimensions



## Advantages at a glance

Roll performance	● ● ● ○ ○
Movement noise	● ● ● ● ○
Attrition	● ● ● ○ ○
Corrosion resistance	● ● ● ● ○

# LEVINA LIGHT

5220PJP125B10-11x31

EAN 4031582493009



BETTER MOBILITY. BETTER LIFE.

## Structure & Mounting

---

