

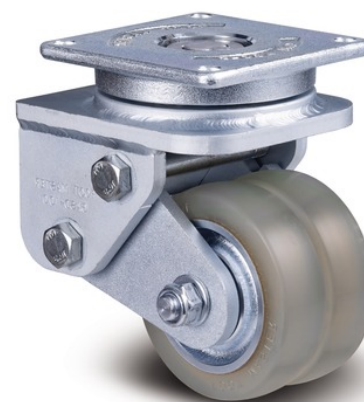


BETTER MOBILITY. BETTER LIFE.

FOOT MASTER GASD-075-ASF-HUD

EAN 4031582495201

Swivel twin wheel castor, with spring, housing made of steel welded, zinc plated, double thrust bearing in the swivel head, grease nipple, minute shock absorption function and constant contact function to the floor with special rubber, wheel axle with nut, plate fitting. Wheel centre made of cast iron, Tread: Polyurethane, casted, precision ball bearing.

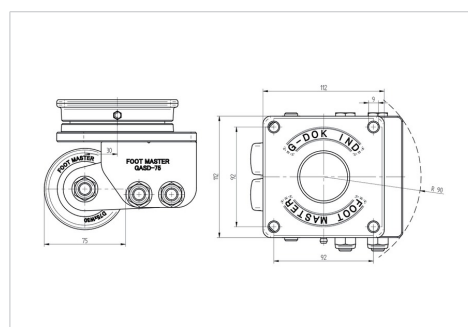


Picture may differ from original product

Technical Data

Wheel diameter	75 mm
Wheel width	30 mm
Castor width	128 mm
Size of Plate	112 x 112,0 mm
Plate hole centres	92 x 92 mm
Plate hole	9 mm
Dome-Ø	112 mm
Offset	30 mm
Swivel Interference	180 mm
Overall height	120 mm
Temperature	-10 / +90 °C
Weight	6.97 kg
Swivel Radius	90 mm
Load capacity	250 kg

Dimensions



Advantages at a glance

Roll performance	● ● ● ● ●
Movement noise	● ● ● ● ○
Attrition	● ● ● ● ○
Corrosion resistance	● ● ● ● ○