

DELTA

3640SEP160P63

EAN 4031582355109

Swivel castor, housing made of heavy pressed steel, bright zinc plated, blue passivated, precision ball bearing swivel head, sealed, wheel axle with nut, plate fitting. Wheel centre made of pressed steel, welded and painted, tread made of vulcanized black elastic-tyre, precision ball bearing



BETTER MOBILITY. BETTER LIFE.

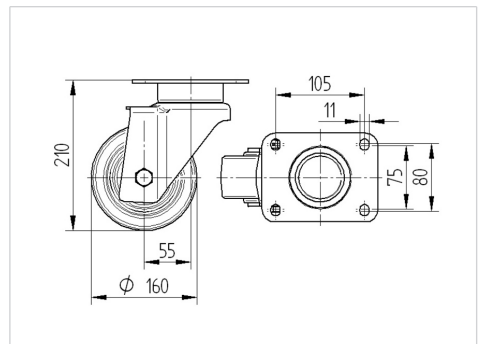


Picture may differ from original product

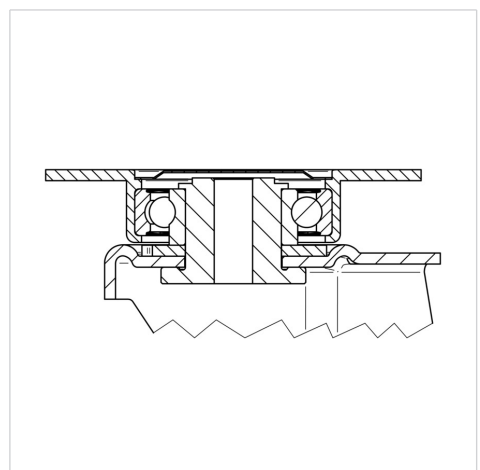
Technical Data

| | |
|------------------------|----------------|
| Wheel diameter | 160 mm |
| Wheel width | 50 mm |
| Castor width | 94 mm |
| Size of Plate | 137 x 105 mm |
| Plate hole centres | 105 x 80/75 mm |
| Plate hole | 11 mm |
| Dome-Ø | 94 mm |
| Offset | 55 mm |
| Swivel Interference | 270 mm |
| Overall height | 210 mm |
| Temperature | - 20 / + 85 °C |
| Standard | EN_12532 |
| Weight | 3.898 kg |
| Swivel Radius | 135 mm |
| Hardness of tread | Shore A 67 |
| Load capacity | 540 kg |
| Load capacity (static) | 1080 kg |

Dimensions



Structure & Mounting



Advantages at a glance

| | |
|----------------------|-----------|
| Roll performance | ● ● ● ○ ○ |
| Movement noise | ● ● ● ● ● |
| Attrition | ● ● ● ○ ○ |
| Corrosion resistance | ● ● ● ○ ○ |

DELTA

3640SEP160P63

EAN 4031582355109



BETTER MOBILITY. BETTER LIFE.

Structure & Mounting

