

LEVINA

5387XSC100P30-11

EAN 4031582359510

Swivel castor with total lock, tail end of castor, housing made from high grade synthetic materials with metal parts made of Stainless Steel, double ball bearing swivel head, bolt hole. Wheel centre made of Polyamide, electric conductive, tread made of Polyurethane, with threadguards, precision ball bearing, stainless
 Hint: These castors are also with grey locking lever available.



BETTER MOBILITY. BETTER LIFE.



Picture may differ from original product

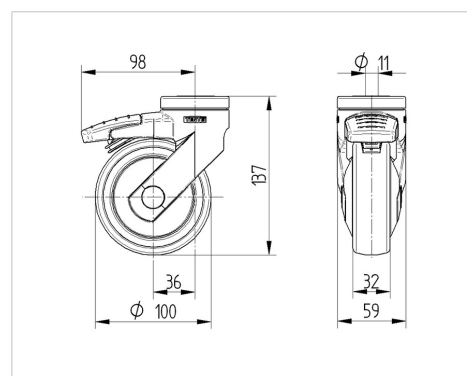
Technical Data

Wheel diameter	100 mm
Wheel width	32 mm
Castor width	59 mm
Centre hole	11 mm
Dome-Ø	59 mm
Offset	36 mm
Swivel Interference	196 mm
Overall height	137 mm
Temperature	- 10 / + 40 °C
Standard	EN_12530
Weight	0.5 kg
Swivel Radius	98 mm
Hardness of tread	Shore A 91
Load capacity	100 kg
Load capacity (static)	200 kg

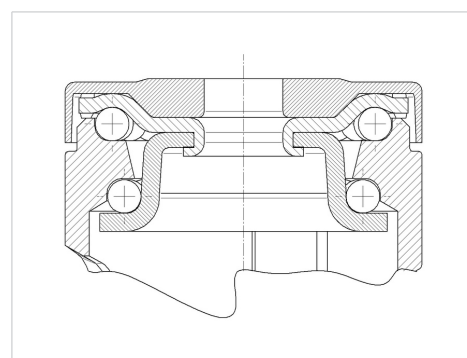
Advantages at a glance

Roll performance	● ● ● ○ ○
Movement noise	● ● ● ● ○
Attrition	● ● ● ● ○
Corrosion resistance	● ● ● ● ●

Dimensions



Structure & Mounting



PRODUCT INFORMATION

LEVINA

5387XSC100P30-11

EAN 4031582359510



BETTER MOBILITY. BETTER LIFE.

Structure & Mounting

