

ALPHA

3476PXU200P69 L0-13

EAN 4031582359794

The locking mechanism is activated through the cam via a lever. The lever reverses automatically to the base position. Cam bore parallel to the long side of plate, SW 13 mm Swivel castor with central total lock, housing made of pressed steel, bright zinc plated, blue passivated, double ball bearing swivel head, wheel axle with nut, dustguard, plate fitting with integrated central lock. Wheel centre made of Polypropylene, Tread: solid rubber, black, with synthetic plain bearing
 Hint: The brake pedal is attached to the mounting plate. The swivel mechanism is independent of the mounting plate. Therefore the break pedal is always in the same position.



BETTER MOBILITY. BETTER LIFE.



Picture may differ from original product

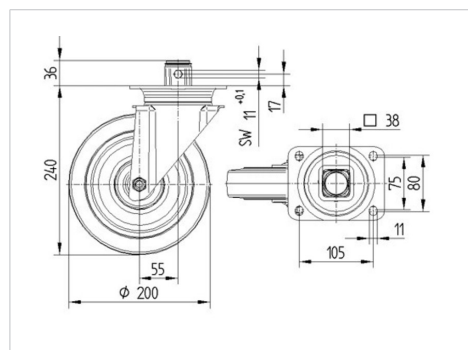
Technical Data

Wheel diameter	200 mm
Wheel width	50 mm
Size of Plate	137 x 105 mm
Plate hole centres	105 x 80/75 mm
Plate hole	11 mm
Offset	55 mm
Swivel Interference	310 mm
Overall height	240 mm
Temperature	- 20 / + 60 °C
Standard	EN_12532
Weight	2.716 kg
Swivel Radius	155 mm
Hardness of tread	Shore A 85
Load capacity	205 kg
Load capacity (static)	410 kg

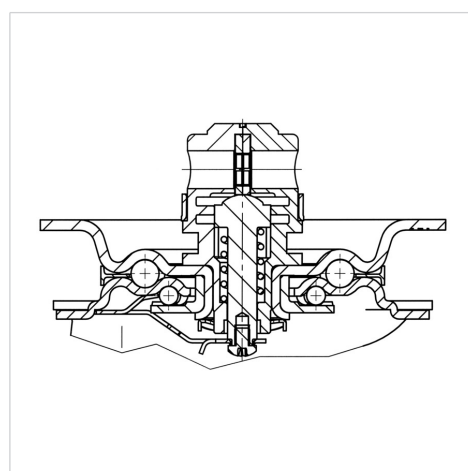
Advantages at a glance

Roll performance	● ● ● ○ ○
Movement noise	● ● ● ○ ○
Attrition	● ● ○ ○ ○
Corrosion resistance	● ● ● ○ ○

Dimensions



Structure & Mounting



ALPHA

3476PXU200P69 L0-13

EAN 4031582359794



BETTER MOBILITY. BETTER LIFE.

Structure & Mounting

