

LINEA

5940XSP100P30-11 RAL9002

EAN 4031582351873

Swivel castor, housing made of Polyamide, precision ball bearing in swivel head, bolt hole. Wheel centre made of Polyamide, electric conductive, tread made of Polyurethane, with threadguards, precision ball bearing



BETTER MOBILITY. BETTER LIFE.



Picture may differ from original product

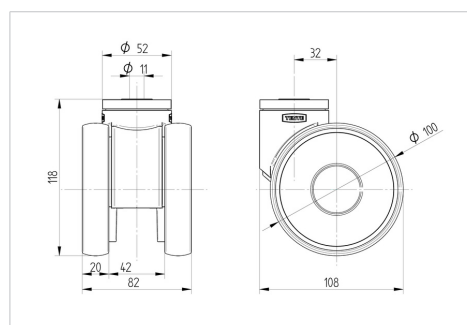
Technical Data

Wheel diameter	100 mm
Wheel width	20 mm
Castor width	82 mm
Centre hole	11 mm
Dome-Ø	52 mm
Offset	32 mm
Swivel Interference	180 mm
Overall height	118 mm
Temperature	- 10 / + 40 °C
Standard	EN_12530
Weight	0.631 kg
Swivel Radius	90 mm
Hardness of tread	Shore A 92
Load capacity	100 kg
Load capacity (static)	200 kg

Advantages at a glance

Roll performance	● ● ● ● ●
Movement noise	● ● ● ○ ○
Attrition	● ● ● ● ○
Corrosion resistance	● ● ● ● ○

Dimensions



Structure & Mounting

