

DELTA TWIN

9942UOO200P63

EAN 4031582366860

Swivel castor with total lock, head end of castor, housing made of heavy pressed steel, bright zinc plated, blue passivated, precision ball bearing swivel head, sealed, wheel axle with nut, plate fitting. Wheel centre made of Polyamide, plain bearing



BETTER MOBILITY. BETTER LIFE.

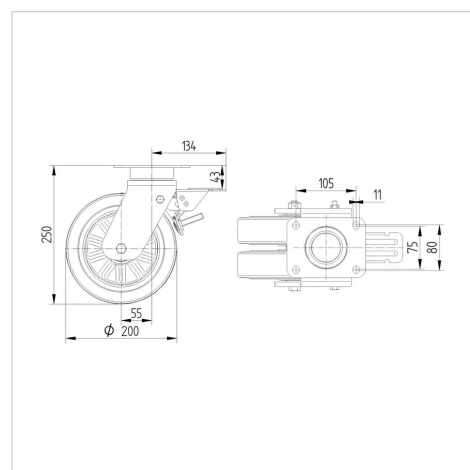


Picture may differ from original product

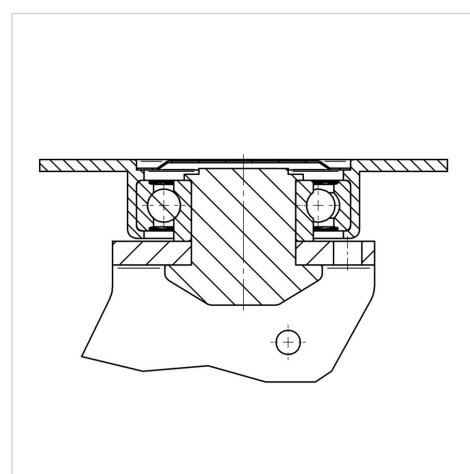
Technical Data

Wheel diameter	200 mm
Wheel width	50 mm
Size of Plate	137 x 105 mm
Plate hole centres	105 x 80/75 mm
Plate hole	11 mm
Offset	55 mm
Swivel Interference	310 mm
Overall height	250 mm
Temperature	- 20 / + 60 °C
Standard	EN_12532
Weight	5.678 kg
Hardness of tread	Shore A 92
Load capacity	750 kg
Load capacity (static)	1500 kg

Dimensions



Structure & Mounting



Advantages at a glance

Roll performance	● ● ● ○ ○
Movement noise	● ● ● ○ ○
Attrition	● ● ● ● ○
Corrosion resistance	● ● ● ○ ○

DELTA TWIN

9942UOO200P63

EAN 4031582366860



BETTER MOBILITY. BETTER LIFE.

Structure & Mounting

