

DELTA TWIN

9948UOP200P63

EAN 4031582366990

Fixed castor, Fork made of heavy pressed steel, bright zinc plated, blue passivated, wheel axle with nut, plate fitting.

Wheel centre made of Polyamide, precision ball bearing



BETTER MOBILITY. BETTER LIFE.

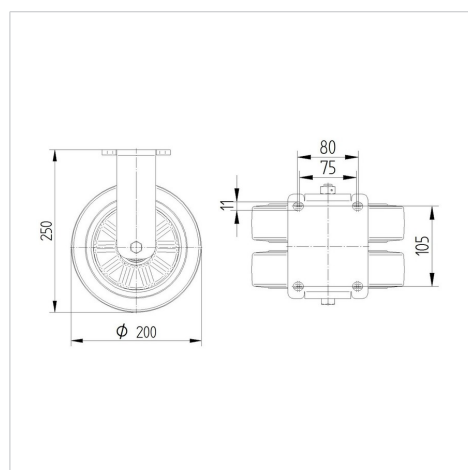


Picture may differ from original product

Technical Data

Wheel diameter	200 mm
Wheel width	50 mm
Castor width	157 mm
Size of Plate	137 x 137,0 mm
Plate hole centres	105 x 80/75 mm
Plate hole	11 mm
Dome-Ø	136 mm
Overall height	250 mm
Temperature	- 40 / + 85 °C
Standard	EN_12532
Weight	4.218 kg
Hardness of tread	Shore D 75
Load capacity	750 kg
Load capacity (static)	1500 kg

Dimensions



Advantages at a glance

Roll performance	● ● ● ○ ○
Movement noise	● ● ● ○ ○
Attrition	● ● ● ● ○
Corrosion resistance	● ● ● ○ ○

DELTA TWIN

9948UOP200P63

EAN 4031582366990



BETTER MOBILITY. BETTER LIFE.

Structure & Mounting

