

ALPHA

3499UFP160P67 Q0-13

EAN 4031582381054

Fixed castor with central lock, Fork made of pressed steel, bright zinc plated, blue passivated, wheel axle with nut. The locking mechanism is activated through the cam via a lever. The lever reverses automatically to the base position. Cam bore perpendicular to the long side of plate, SW 13 mm, plate fitting with integrated central lock.

Wheel centre made of Polyamide, Tread: elastic-tyre, non-marking, precision ball bearing



BETTER MOBILITY. BETTER LIFE.



Picture may differ from original product

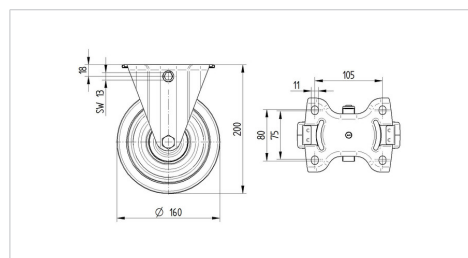
Technical Data

Wheel diameter	160 mm
Wheel width	46 mm
Size of Plate	137 x 115 mm
Plate hole centres	105 x 80/75 mm
Plate hole	11 mm
Overall height	200 mm
Temperature	- 20 / + 80 °C
Standard	EN_12532
Hardness of tread	Shore A 64
Load capacity	300 kg
Load capacity (static)	600 kg

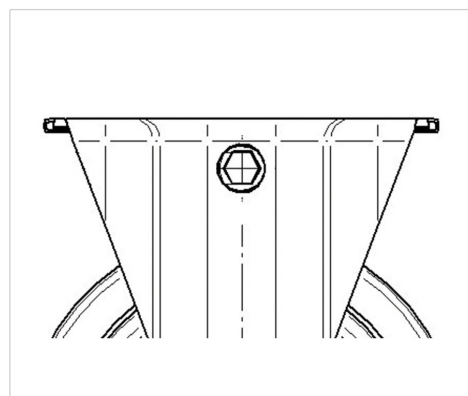
Advantages at a glance

Roll performance	● ● ● ○ ○
Movement noise	● ● ● ● ●
Attrition	● ● ● ○ ○
Corrosion resistance	● ● ● ○ ○

Dimensions



Structure & Mounting



ALPHA

3499UFP160P67 Q0-13

EAN 4031582381054



BETTER MOBILITY. BETTER LIFE.

Structure & Mounting

