

AGILA

3940UAC125R05-32 RAL7001

EAN 4031582382532

Swivel castor, frame made of pressed steel, precision ball bearing in swivel head, housing with synthetic cover, solid plug fitting. Wheel centre made of polyamide, tread made of polyurethane, two INOX precision ball bearings, sealed, washable. Washable beds must be sealed in the fitting area by the hospital bed manufacturer.



BETTER MOBILITY. BETTER LIFE.

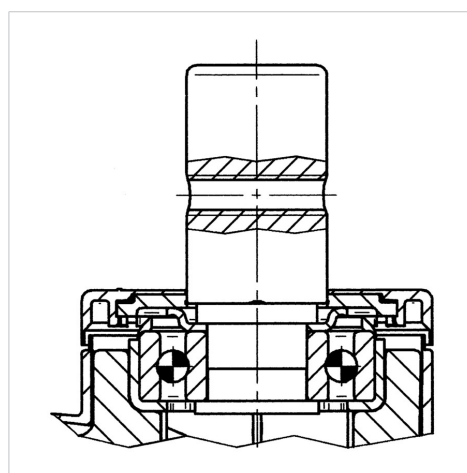


Picture may differ from original product

Technical Data

Wheel diameter	125 mm
Wheel width	12 mm
Castor width	62 mm
Bolt-Ø	32 mm
Bolt length	45 mm
Offset	37.5 mm
Swivel Interference	200 mm
Overall height	150 mm
Temperature	- 30 / + 80 °C
Standard	similar_EN12531
Swivel Radius	100 mm
Hardness of tread	Shore A 92
Load capacity	125 kg
Load capacity (static)	375 kg

Structure & Mounting



Advantages at a glance

Roll performance	● ● ● ○ ○
Movement noise	● ● ● ○ ○
Attrition	● ● ● ● ○
Corrosion resistance	● ● ● ○ ○