

DURATECH

U00080x34-Ø12

EAN 4031582070095

Wheel centre made of Polyamide, plain bearing



BETTER MOBILITY. BETTER LIFE.

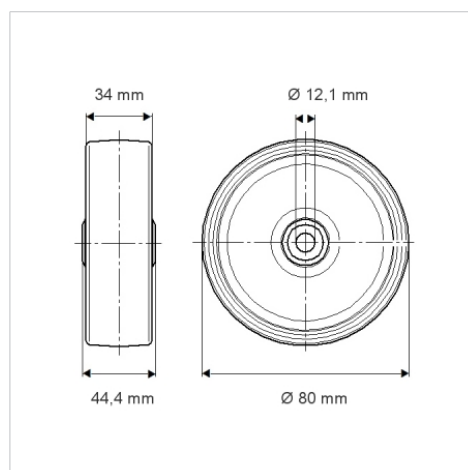


Picture may differ from original product

Technical Data

Wheel diameter	80 mm
Wheel width	34 mm
Axle Hole-Ø	12.1 mm
Hub length	44.4 mm
Temperature	- 40 / + 80 °C
Standard	EN_12532
Weight	0.078 kg
Hardness of tread	Shore D 75
Load capacity	200 kg
Load capacity (static)	400 kg

Dimensions



Advantages at a glance

Roll performance	● ● ● ○ ○
Movement noise	● ● ● ○ ○
Attrition	● ● ● ● ●
Corrosion resistance	● ● ● ○ ○