

AVIANA

5976UAE075P54

EAN 4031582396638

Swivel castor with central total lock, housing made from high grade synthetic materials, double ball bearing swivel head, axle riveted, plate fitting. Wheel centre made of Polyamide, Tread: Polyurethane, with threadguards, cone ball bearing stainless. Wheel centre made of Polyamide, Tread: Polyurethane, with threadguards, cone ball bearing POM



BETTER MOBILITY. BETTER LIFE.

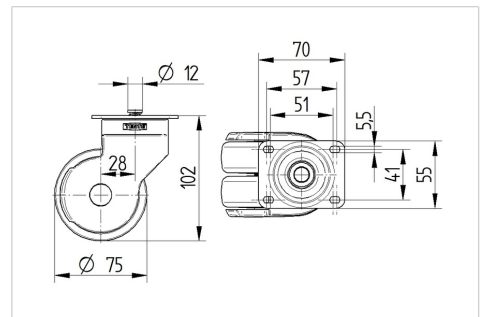


Picture may differ from original product

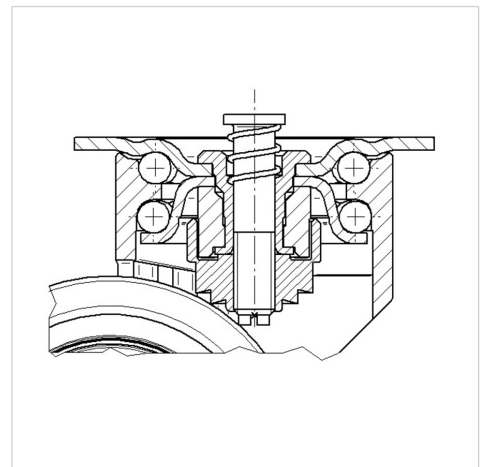
Technical Data

Wheel diameter	75 mm
Wheel width	25 mm
Castor width	69 mm
Size of Plate	70 x 55 mm
Plate hole centres	57/51 x 41 mm
Plate hole	5,5 mm
Dome-Ø	54 mm
Offset	28 mm
Swivel Interference	137 mm
Overall height	102 mm
Temperature	- 10 / + 40 °C
Standard	EN_12530
Weight	0.375 kg
Swivel Radius	68.5 mm
Hardness of tread	Shore D 42
Load capacity	100 kg

Dimensions



Structure & Mounting



Advantages at a glance

Roll performance	● ● ● ○ ○
Movement noise	● ● ● ○ ○
Attrition	● ● ● ● ○
Corrosion resistance	● ● ● ● ○

AVIANA

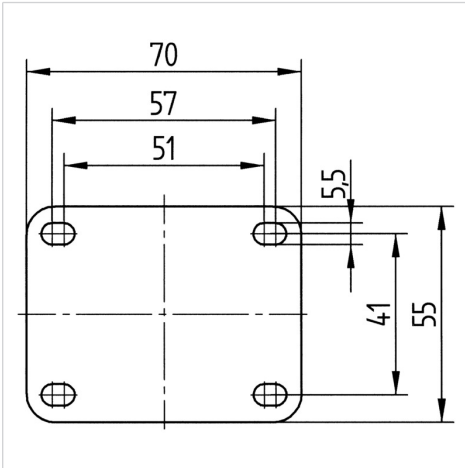
5976UAE075P54

EAN 4031582396638



BETTER MOBILITY. BETTER LIFE.

Structure & Mounting



Design Award Winner

German Designer Club



**reddot design award
winner**