

INTEGRAL

2046UAX200R36-32S30 4xM6

EAN 4031582300277

Swivel castor with central total lock, frame made of pressed steel, precision ball bearing in swivel head and wheel, housing cover made of synthetic plastics, stem with cam hole for profile bars, short version. Wheel centre made of Polyamide, Tread: Polyurethane, with threadguards, precision ball bearing, sealed
Hint: TÜV Süd certified product.



BETTER MOBILITY. BETTER LIFE.



Picture may differ from original product

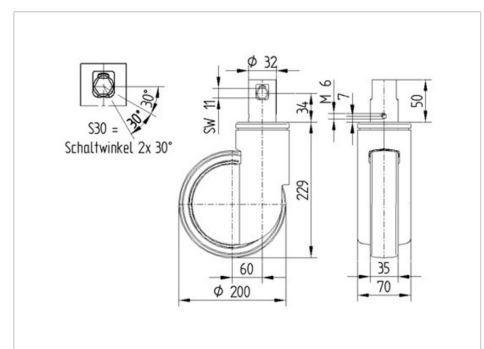
Technical Data

Wheel diameter	200 mm
Wheel width	35 mm
Castor width	70 mm
Bolt-Ø	32 mm
Bolt length	51 mm
Dome-Ø	70 mm
Offset	60 mm
Swivel Interference	320 mm
Overall height	229 mm
Temperature	- 25 / - 25 °C
Standard	EN_12531
Weight	1.662 kg
Swivel Radius	160 mm
Hardness of tread	Shore D 59
Load capacity	150 kg
Load capacity (static)	450 kg

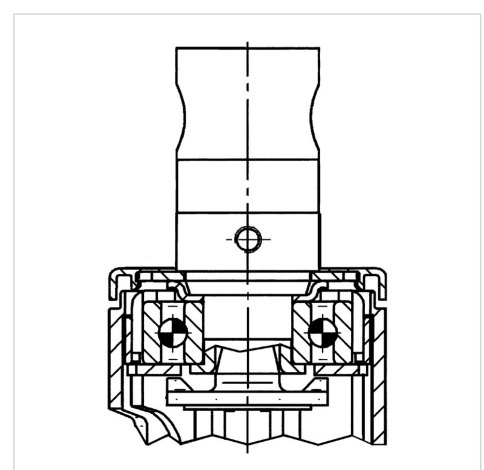
Advantages at a glance

Roll performance	● ● ● ○ ○
Movement noise	● ● ● ○ ○
Attrition	● ● ● ● ○
Corrosion resistance	● ● ● ○ ○

Dimensions



Structure & Mounting



INTEGRAL

2046UAX200R36-32S30 4xM6

EAN 4031582300277



BETTER MOBILITY. BETTER LIFE.

Structure & Mounting



product
design award
winner



reddot design award
winner

