

GALEA

5071PJP100P60-90x70

EAN 4031582367935

Swivel castor with directional lock, housing made of Polyamide, double ball bearing swivel head, plate fitting. Wheel centre made of Polypropylene, Tread: TENTEprene (thermoplastic rubber), grey non-marking, precision ball bearing, with threadguards
 Hint: These castors are also with grey locking lever available.



BETTER MOBILITY. BETTER LIFE.

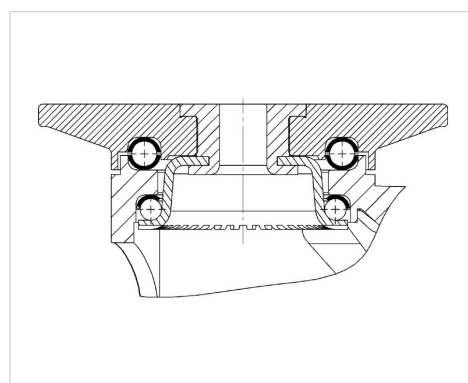


Picture may differ from original product

Technical Data

Wheel diameter	100 mm
Wheel width	30 mm
Size of Plate	90 x 70 mm
Plate hole centres	70/60 x 55/50 mm
Plate hole	8 mm
Offset	40 mm
Swivel Interference	205 mm
Overall height	138 mm
Temperature	-20 / +60 °C
Standard	EN_12530
Weight	0.49 kg
Hardness of tread	Shore A 87
Load capacity	100 kg
Load capacity (static)	200 kg

Structure & Mounting



Advantages at a glance

Roll performance	● ● ● ○ ○
Movement noise	● ● ● ○ ○
Attrition	● ● ● ○ ○
Corrosion resistance	● ● ● ● ○