

GALEA

5087PJM125P60-90x70

EAN 4031582367980

Swivel castor with total lock, tail end of castor, housing made of Polyamide, double ball bearing swivel head, plate fitting. Wheel centre made of Polypropylene, Tread: TENTEprene (thermoplastic rubber), rubber non-marking, with threadguards, plain bearing, stainless
Hint: These castors are also with grey locking lever available. Stainless Steel version. All Metal parts made of Stainless Steel.



BETTER MOBILITY. BETTER LIFE.

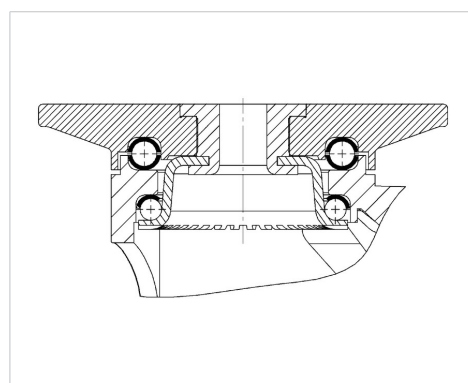


Picture may differ from original product

Technical Data

| | |
|------------------------|------------------|
| Wheel diameter | 125 mm |
| Wheel width | 30 mm |
| Size of Plate | 90 x 70 mm |
| Plate hole centres | 70/60 x 55/50 mm |
| Plate hole | 8 mm |
| Offset | 40 mm |
| Swivel Interference | 205 mm |
| Overall height | 163 mm |
| Temperature | -20 / +60 °C |
| Standard | EN_12530 |
| Weight | 0.563 kg |
| Hardness of tread | Shore A 87 |
| Load capacity | 100 kg |
| Load capacity (static) | 200 kg |

Structure & Mounting



Advantages at a glance

| | |
|----------------------|-----------|
| Roll performance | ● ● ● ○ ○ |
| Movement noise | ● ● ● ○ ○ |
| Attrition | ● ● ● ○ ○ |
| Corrosion resistance | ● ● ● ● ● |