

DELTA TWIN

9942ITP125P63 SH80

EAN 4031582365771

Swivel castor with total lock, head end of castor, housing made of heavy pressed steel, bright zinc plated, blue passivated, precision ball bearing swivel head, sealed, wheel axle with nut, plate fitting. Wheel centre made of Aluminium, Tread: Polyurethane, casted, precision ball bearing



BETTER MOBILITY. BETTER LIFE.



Picture may differ from original product

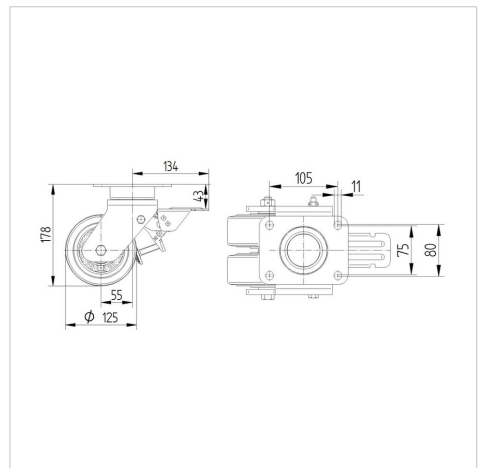
Technical Data

Wheel diameter	125 mm
Wheel width	50 mm
Castor width	157 mm
Size of Plate	137 x 105 mm
Plate hole centres	105 x 80/75 mm
Plate hole	11 mm
Dome-Ø	136 mm
Offset	55 mm
Swivel Interference	318 mm
Overall height	178 mm
Temperature	- 10 / + 60 °C
Standard	EN_12532
Weight	5.773 kg
Swivel Radius	159 mm
Hardness of tread	Shore A 80
Load capacity	750 kg
Load capacity (static)	1500 kg

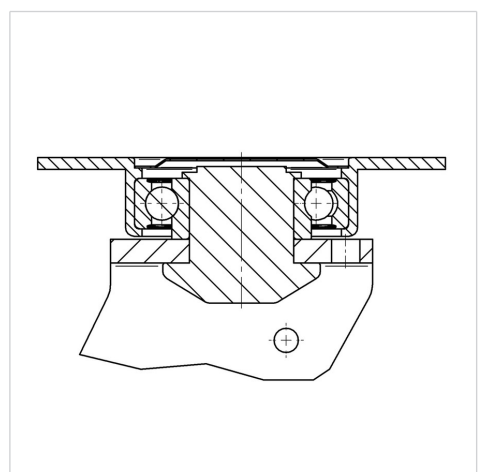
Advantages at a glance

Roll performance	● ● ● ○ ○
Movement noise	● ● ● ○ ○
Attrition	● ● ● ● ○
Corrosion resistance	● ● ● ○ ○

Dimensions



Structure & Mounting



DELTA TWIN

9942ITP125P63 SH80

EAN 4031582365771



BETTER MOBILITY. BETTER LIFE.

Structure & Mounting

