



BETTER MOBILITY. BETTER LIFE.

FOOT MASTER GAGD-100-ASF-HUD

EAN 4031582495287

Swivel twin wheel castor, housing made of steel welded, zinc plated, double thrust bearing in the swivel head, grease nipple, wheel axle with nut, plate fitting. Wheel centre made of cast iron, Tread: Polyurethane, casted, precision ball bearing.

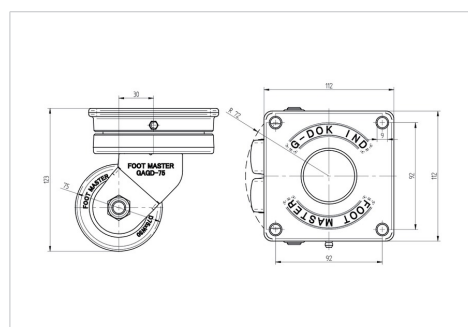


Picture may differ from original product

Technical Data

Wheel diameter	100 mm
Wheel width	30 mm
Castor width	118 mm
Size of Plate	112 x 112,0 mm
Plate hole centres	92 x 92 mm
Plate hole	9 mm
Dome-Ø	104 mm
Offset	30 mm
Swivel Interference	168 mm
Overall height	150 mm
Temperature	-10 / +90 °C
Weight	6.66 kg
Swivel Radius	84 mm
Load capacity	310 kg

Dimensions



Advantages at a glance

Roll performance	● ● ● ● ●
Movement noise	● ● ● ● ○
Attrition	● ● ● ● ○
Corrosion resistance	● ● ● ● ○