

SMILES

5525UAI075L51-11 RAL9006

EAN 4031582310672

Swivel castor with wheel brake, housing made of Polyamide, with blind hole fitting. Wheel centre made of Polyamide, Tread: Polyurethane, plain bearing



BETTER MOBILITY. BETTER LIFE.

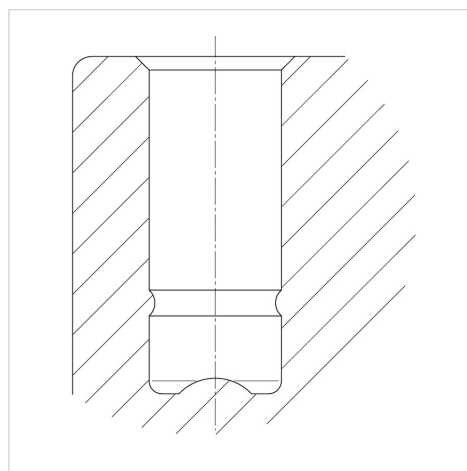


Picture may differ from original product

Technical Data

Wheel diameter	75 mm
Wheel width	10 mm
Castor width	65 mm
Centre hole	11 mm
Dome-Ø	45 mm
Offset	30 mm
Swivel Interference	212 mm
Overall height	88 mm
Temperature	- 20 / + 60 °C
Standard	EN_12528
Weight	0.295 kg
Swivel Radius	106 mm
Hardness of tread	Shore A 92
Load capacity	100 kg
Load capacity (static)	200 kg

Structure & Mounting



Advantages at a glance

Roll performance	● ● ● ○ ○
Movement noise	● ● ● ○ ○
Attrition	● ● ● ○ ○
Corrosion resistance	● ● ● ● ○