

SMILES

5520PJI050L51-10 BEAR, White

EAN 4031582335637

Swivel castor, housing made of Polyamide, with blind hole fitting. Wheel centre made of Polypropylene, Tread: TENTEprene (thermoplastic rubber), grey non-marking, plain bearing



BETTER MOBILITY. BETTER LIFE.



Picture may differ from original product

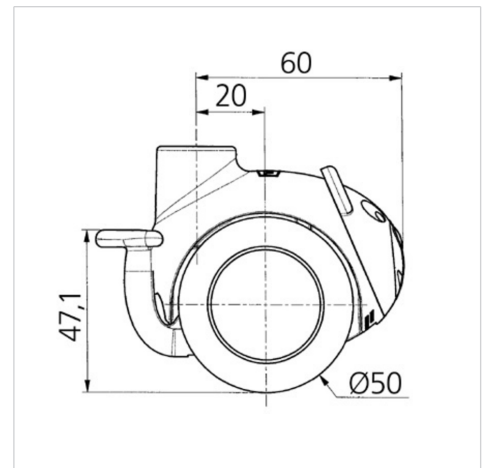
Technical Data

Wheel diameter	50 mm
Wheel width	8,5 mm
Castor width	54.3 mm
Centre hole	10 mm
Dome-Ø	23 mm
Offset	20 mm
Swivel Interference	120 mm
Overall height	71.5 mm
Temperature	- 10 / + 40 °C
Standard	EN_12528
Weight	0.1 kg
Swivel Radius	60 mm
Hardness of tread	Shore A 87
Load capacity	40 kg
Load capacity (static)	80 kg

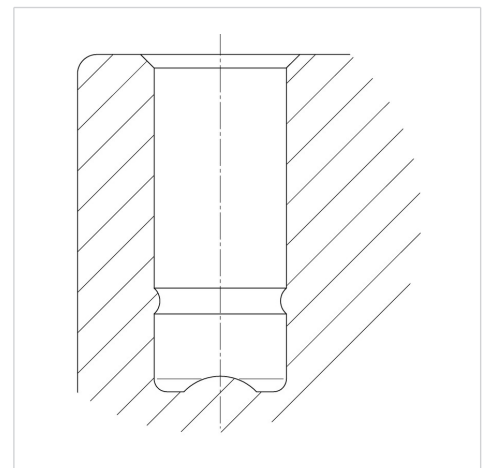
Advantages at a glance

Roll performance	● ● ● ○ ○
Movement noise	● ● ● ○ ○
Attrition	● ● ● ○ ○
Corrosion resistance	● ● ● ● ○

Dimensions



Structure & Mounting



SMILES

5520PJI050L51-10 BEAR, White

EAN 4031582335637



BETTER MOBILITY. BETTER LIFE.

Structure & Mounting



reddot design award
winner