

AGILA

2477PJO100P50

EAN 4031582050394

Swivel castor with total lock, tail end of castor, housing made of pressed steel, bright zinc plated, blue passivated, double ball bearing swivel head, wheel axle with nut, plate fitting. Wheel centre made of Polypropylene, Tread: TENTEprene (thermoplastic rubber), grey non-marking, plain bearing



BETTER MOBILITY. BETTER LIFE.

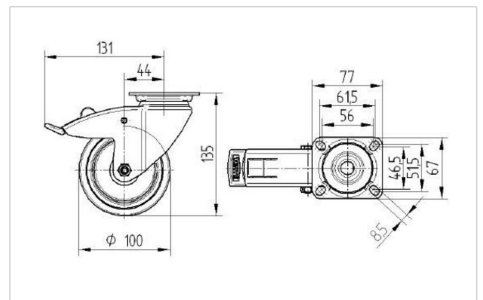


Picture may differ from original product

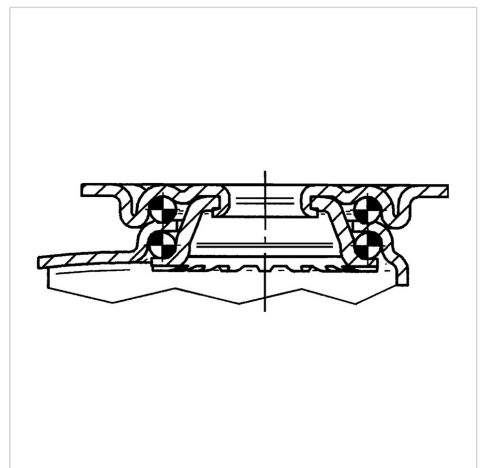
Technical Data

| | |
|------------------------|------------------------|
| Wheel diameter | 100 mm |
| Wheel width | 32 mm |
| Castor width | 60 mm |
| Size of Plate | 77 x 67 mm |
| Plate hole centres | 61,5/56 x 51,5/46,5 mm |
| Plate hole | 8,5 mm |
| Dome-Ø | 60 mm |
| Offset | 43.5 mm |
| Swivel Interference | 262 mm |
| Overall height | 135 mm |
| Temperature | - 20 / + 60 °C |
| Standard | EN_12530 |
| Weight | 0.763 kg |
| Swivel Radius | 131 mm |
| Hardness of tread | Shore A 87 |
| Load capacity | 80 kg |
| Load capacity (static) | 160 kg |

Dimensions



Structure & Mounting



Advantages at a glance

| | |
|----------------------|-----------|
| Roll performance | ● ● ● ○ ○ |
| Movement noise | ● ● ● ○ ○ |
| Attrition | ● ● ● ○ ○ |
| Corrosion resistance | ● ● ● ○ ○ |

AGILA

2477PJO100P50

EAN 4031582050394



BETTER MOBILITY. BETTER LIFE.

Structure & Mounting

