

# LUMINA

AA20POI050B10-11x20

EAN 4031582317503

Swivel castor, housing made of Polypropylene, stem with circlip. Wheel centre made of Polypropylene, plain bearing



BETTER MOBILITY. BETTER LIFE.

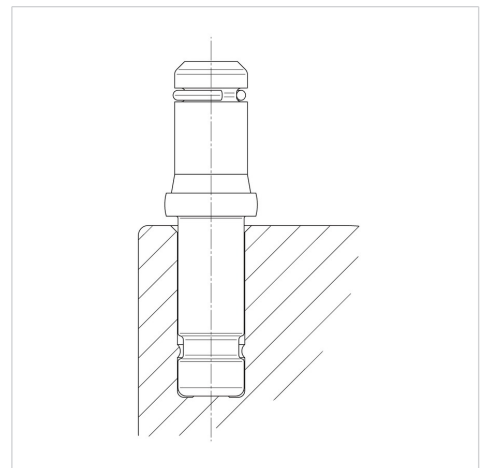


Picture may differ from original product

## Technical Data

Wheel diameter	50 mm
Wheel width	7 mm
Castor width	55 mm
Metal stem with circlip	11 x 20 mm
Offset	20 mm
Swivel Interference	104 mm
Overall height	56 mm
Temperature	- 20 / + 60 °C
Standard	EN_12528
Weight	0.105 kg
Swivel Radius	52 mm
Hardness of tread	Shore D 65
Load capacity	40 kg
Load capacity (static)	80 kg

## Structure & Mounting



## Advantages at a glance

Roll performance	● ● ● ○ ○
Movement noise	● ● ● ○ ○
Attrition	● ● ● ○ ○
Corrosion resistance	● ● ● ○ ○