

# LINEA

## 5925XOI065L51-10 DOM23

EAN 4031582343885

Swivel castor with wheel brake, housing made of Polyamide, with blind hole fitting. Wheel centre made of Polyamide, plain bearing, electric conductive



BETTER MOBILITY. BETTER LIFE.

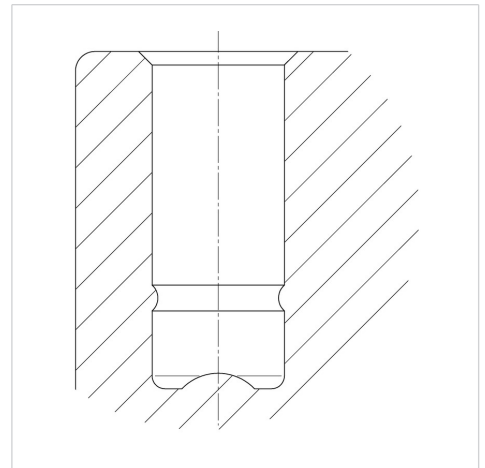


Picture may differ from original product

### Technical Data

Wheel diameter	65 mm
Wheel width	8 mm
Castor width	43 mm
Centre hole	10 mm
Dome-Ø	23 mm
Offset	25 mm
Swivel Interference	154 mm
Overall height	68 mm
Temperature	- 20 / + 60 °C
Standard	EN_12528
Weight	0.108 kg
Swivel Radius	77 mm
Hardness of tread	Shore D 65
Load capacity	50 kg
Load capacity (static)	100 kg

### Structure & Mounting



### Advantages at a glance

Roll performance	● ● ● ○ ○
Movement noise	● ● ● ○ ○
Attrition	● ● ● ● ●
Corrosion resistance	● ● ● ● ○