

LINEA

5925UAI075L51-10 DOM22

EAN 4031582311167

Swivel castor with wheel brake, housing made of Polyamide, with blind hole fitting. Wheel centre made of Polyamide, Tread: Polyurethane, plain bearing



BETTER MOBILITY. BETTER LIFE.

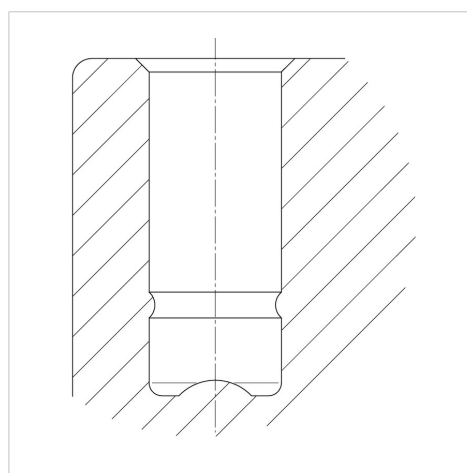


Picture may differ from original product

Technical Data

Wheel diameter	75 mm
Wheel width	10 mm
Castor width	65 mm
Centre hole	10 mm
Dome-Ø	22 mm
Offset	24 mm
Swivel Interference	172 mm
Overall height	76 mm
Temperature	- 20 / + 60 °C
Standard	EN_12528
Weight	0.202 kg
Swivel Radius	86 mm
Hardness of tread	Shore A 92
Load capacity	80 kg
Load capacity (static)	160 kg

Structure & Mounting



Advantages at a glance

Roll performance	● ● ● ○ ○
Movement noise	● ● ● ○ ○
Attrition	● ● ● ○ ○
Corrosion resistance	● ● ● ● ○