

# AGILA

2470PJP075P40

EAN 4031582010466

Swivel castor, housing made of pressed steel, bright zinc plated, blue passivated, double ball bearing swivel head, plate fitting. Wheel centre made of Polypropylene, Tread: TENTEprene (thermoplastic rubber), grey non-marking, precision ball bearing, with threadguards



BETTER MOBILITY. BETTER LIFE.



Picture may differ from original product

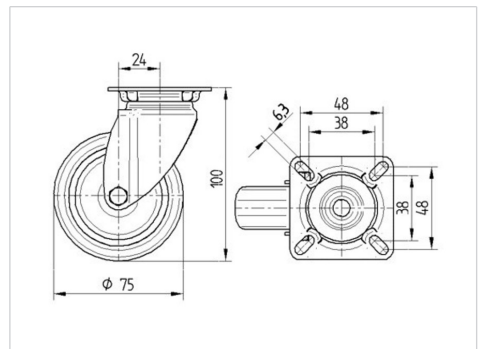
## Technical Data

Wheel diameter	75 mm
Wheel width	25 mm
Castor width	43 mm
Size of Plate	60 x 60 mm
Plate hole centres	48/38 x 48/38 mm
Plate hole	6,3 mm
Dome-Ø	43 mm
Offset	24 mm
Swivel Interference	123 mm
Overall height	100 mm
Temperature	- 20 / + 60 °C
Standard	EN_12530
Weight	0.283 kg
Swivel Radius	61.5 mm
Hardness of tread	Shore A 87
Load capacity	75 kg
Load capacity (static)	150 kg

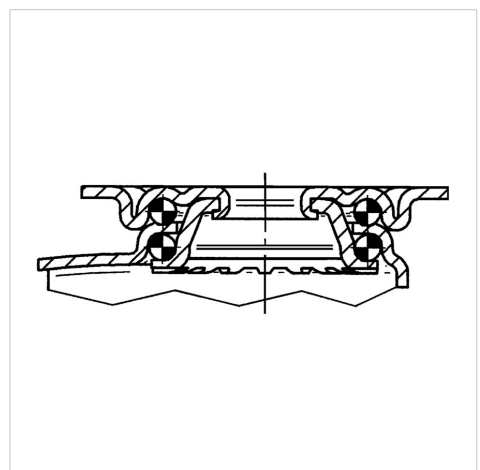
## Advantages at a glance

Roll performance	● ● ● ○ ○
Movement noise	● ● ● ○ ○
Attrition	● ● ● ○ ○
Corrosion resistance	● ● ● ○ ○

## Dimensions



## Structure & Mounting



# AGILA

2470PJP075P40

EAN 4031582010466



BETTER MOBILITY. BETTER LIFE.

## Structure & Mounting

