



BETTER MOBILITY. BETTER LIFE.

## 5327XSX125R05-28x45

EAN 4031582367737

Swivel castor with total lock, tail end of castor, housing and wheels made from high grade synthetic materials, with integrated threadguards, all metal parts are bright zinc plated, yellow thick layer passivated, solid plug fitting. Wheel centre made of Polyamide, electric conductive, Tread made of injected Polyurethane, with threadguards, precision ball bearing, sealed

Hint: These castors are also with grey locking lever available.



Picture may differ from original product

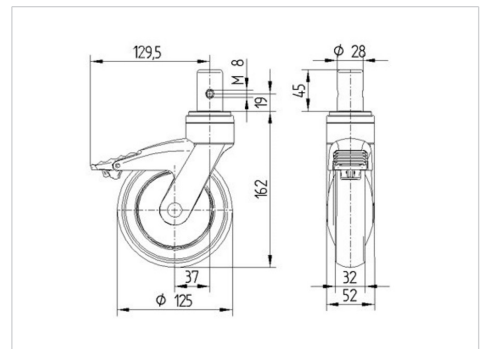
### Technical Data

Wheel diameter	125 mm
Wheel width	32 mm
Bolt-Ø	28 mm
Bolt length	45 mm
Offset	38 mm
Swivel Interference	259 mm
Overall height	162 mm
Temperature	- 10 / + 40 °C
Standard	EN_12530
Weight	0.855 kg
Hardness of tread	Shore A 92
Load capacity	100 kg
Load capacity (static)	200 kg

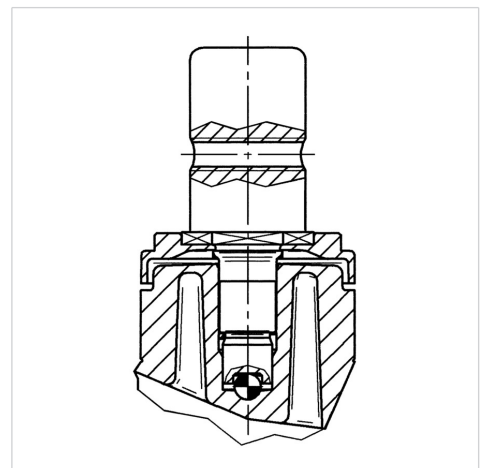
### Advantages at a glance

Roll performance	● ● ● ○ ○
Movement noise	● ● ● ● ○
Attrition	● ● ● ○ ○
Corrosion resistance	● ● ● ● ○

### Dimensions



### Structure & Mounting



5327XSX125R05-28x45

EAN 4031582367737



BETTER MOBILITY. BETTER LIFE.

**Structure & Mounting**

---

