

SMILES

5520PJI050L51-10 CAT, Yellow

EAN 4031582335606

Swivel castor, housing made of Polyamide, with blind hole fitting. Wheel centre made of Polypropylene, Tread: TENTEprene (thermoplastic rubber), grey non-marking, plain bearing



BETTER MOBILITY. BETTER LIFE.



Picture may differ from original product

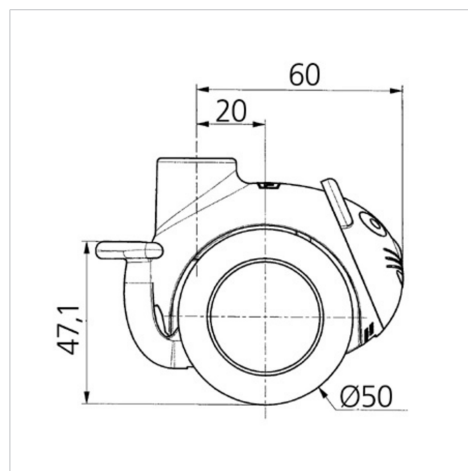
Technical Data

| | |
|------------------------|----------------|
| Wheel diameter | 50 mm |
| Wheel width | 8,5 mm |
| Castor width | 54.3 mm |
| Centre hole | 10 mm |
| Dome-Ø | 23 mm |
| Offset | 20 mm |
| Swivel Interference | 120 mm |
| Overall height | 71.5 mm |
| Temperature | - 10 / + 40 °C |
| Standard | EN_12528 |
| Weight | 0.101 kg |
| Swivel Radius | 60 mm |
| Hardness of tread | Shore A 87 |
| Load capacity | 40 kg |
| Load capacity (static) | 80 kg |

Advantages at a glance

| | |
|----------------------|-----------|
| Roll performance | ● ● ● ○ ○ |
| Movement noise | ● ● ● ○ ○ |
| Attrition | ● ● ● ○ ○ |
| Corrosion resistance | ● ● ● ● ○ |

Dimensions



Structure & Mounting



SMILES

5520PJI050L51-10 CAT, Yellow

EAN 4031582335606



BETTER MOBILITY. BETTER LIFE.

Structure & Mounting



reddot design award
winner