

# DURATECH

TOP080x60-Ø25 HL60

EAN 4031582331011

Wheel centre made of Polyamide, heavy duty, precision ball bearing  
Load capacities on a smooth, even surface.



BETTER MOBILITY. BETTER LIFE.

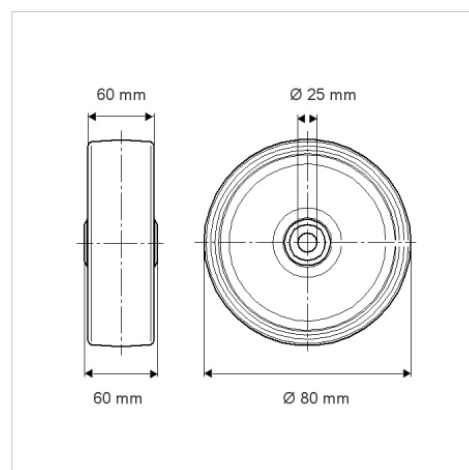


Picture may differ from original product

## Technical Data

Wheel diameter	80 mm
Wheel width	60 mm
Axle Hole-Ø	25 mm
Hub length	60 mm
Temperature	- 40 / + 80 °C
Standard	EN_12533
Weight	0.441 kg
Hardness of tread	Shore D 75
Bearing type	6005 No.
Load capacity	600 kg
Load capacity (static)	1200 kg

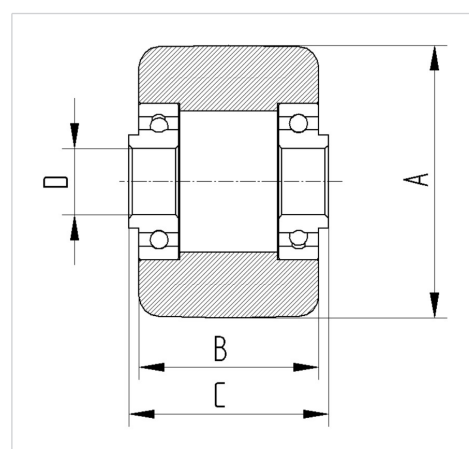
## Dimensions



## Advantages at a glance

Roll performance	● ● ● ● ●
Movement noise	● ● ● ○ ○
Attrition	● ● ● ● ●
Corrosion resistance	● ● ● ○ ○

## Structure & Mounting



# DURATECH

TOP080x60-Ø25 HL60

EAN 4031582331011



BETTER MOBILITY. BETTER LIFE.

## Structure & Mounting

---

