

AGILA

2470PJP100P30-11

EAN 4031582010473

Swivel castor, housing made of pressed steel, bright zinc plated, blue passivated, double ball bearing swivel head, wheel axle with nut, bolt hole. Wheel centre made of Polypropylene, Tread: TENTEprene (thermoplastic rubber), grey non-marking, precision ball bearing, with threadguards Castors can be mounted with standard screws of any length.



BETTER MOBILITY. BETTER LIFE.



Picture may differ from original product

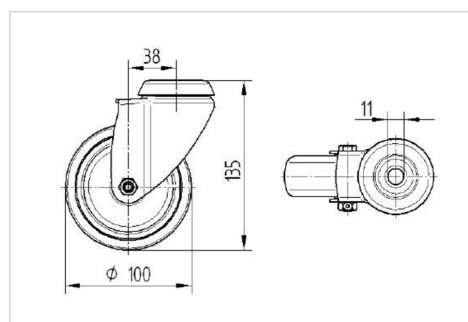
Technical Data

| | |
|------------------------|----------------|
| Wheel diameter | 100 mm |
| Wheel width | 32 mm |
| Castor width | 60 mm |
| Centre hole | 11 mm |
| Dome-Ø | 60 mm |
| Offset | 38 mm |
| Swivel Interference | 176 mm |
| Overall height | 135 mm |
| Temperature | - 20 / + 60 °C |
| Standard | EN_12530 |
| Weight | 0.581 kg |
| Swivel Radius | 88 mm |
| Hardness of tread | Shore A 87 |
| Load capacity | 100 kg |
| Load capacity (static) | 200 kg |

Advantages at a glance

| | |
|----------------------|-----------|
| Roll performance | ● ● ● ○ ○ |
| Movement noise | ● ● ● ○ ○ |
| Attrition | ● ● ● ○ ○ |
| Corrosion resistance | ● ● ● ○ ○ |

Dimensions



Structure & Mounting

