

# ALPHA

3470PVR125P30-13

EAN 4031582304206

Swivel castor, housing made of pressed steel, bright zinc plated, blue passivated, double ball bearing swivel head, wheel axle with nut, bolt hole. Wheel centre made of Polypropylene, Tread: solid rubber, black, roller bearing



BETTER MOBILITY. BETTER LIFE.



Picture may differ from original product

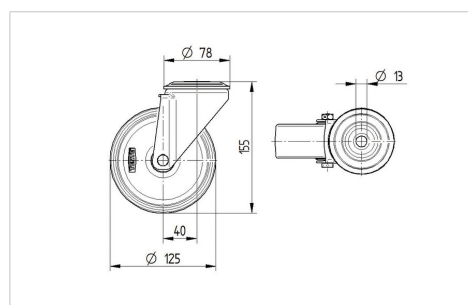
## Technical Data

Wheel diameter	125 mm
Wheel width	37 mm
Castor width	75 mm
Centre hole	13 mm
Dome-Ø	75 mm
Offset	40 mm
Swivel Interference	205 mm
Overall height	155 mm
Temperature	- 20 / + 60 °C
Standard	EN_12532
Weight	1.061 kg
Swivel Radius	102.5 mm
Hardness of tread	Shore A 80
Load capacity	100 kg
Load capacity (static)	200 kg

## Advantages at a glance

Roll performance	● ● ● ○ ○
Movement noise	● ● ● ○ ○
Attrition	● ● ○ ○ ○
Corrosion resistance	● ● ● ○ ○

## Dimensions



## Structure & Mounting

